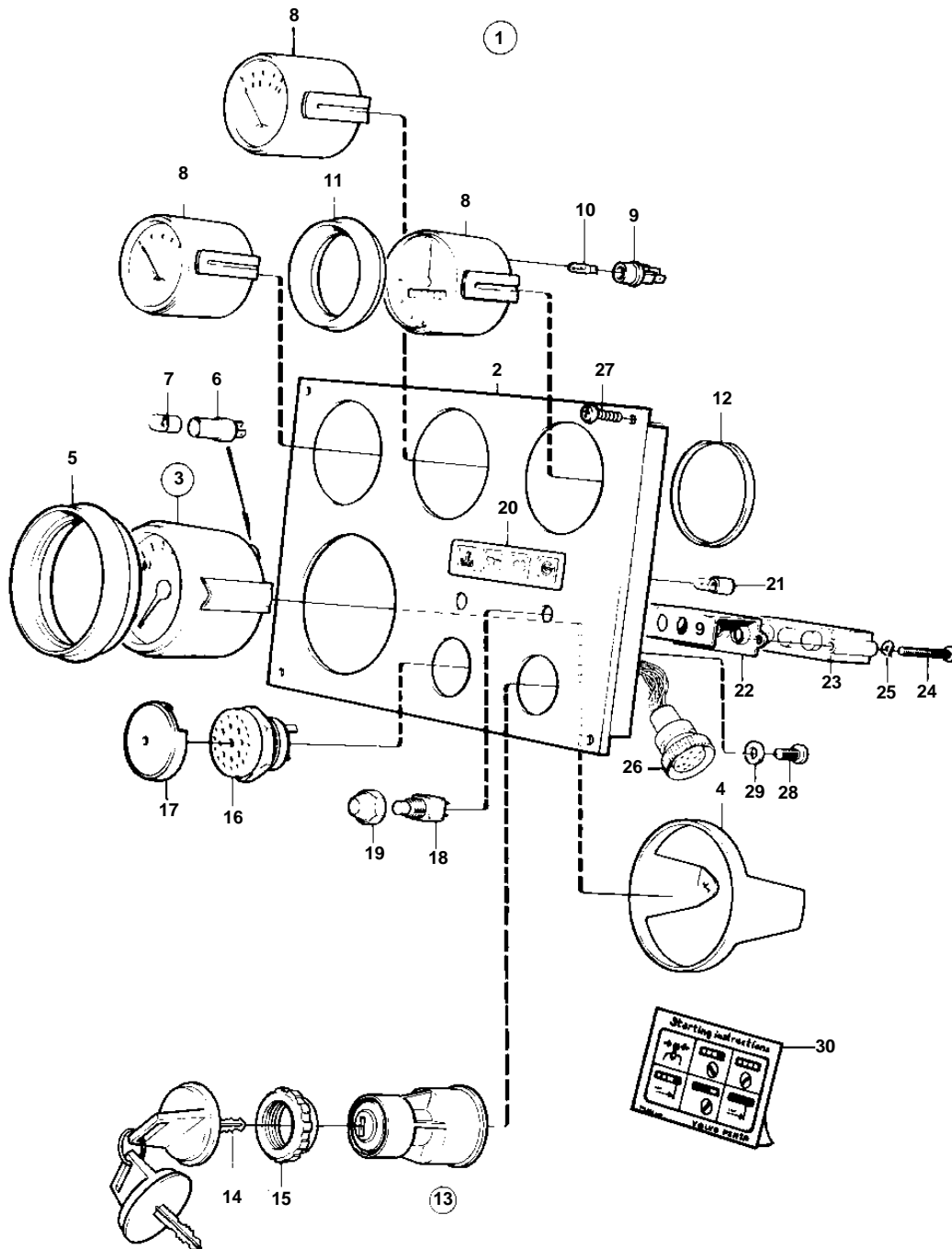


COMMON



COMMON

REF	PART NO.	QTY	DESCRIPTION	SEE SEC.	NOTES
1	864045	1	Instrument panel		REPLACED BY 873590. Fits bulb with base BA 7S.
2	860182	1	· Instrument panel		
3	854909	1	· Tachometer		
4	849523	1	· · Attaching ring		
5	858644	1	· · Front ring		
6	808175	1	· Bulb socket		
7	19923	1	· Bulb		
8	863932	1	· Thermometer		
	863934	1	· Oil pressure gauge		For bulb with base W2X4,6d.
	863930	1	· Voltmeter		
9	863945	3	· · Bulb socket		State key code when ordering.
10	863946	3	· · Bulb		RED, 12V, 2W W2x4,6d
11	858643	3	· Front ring		
12	828803	3	· Ring		
13	864277	1	· Starter switch		
14	859953	2	· · Key		State key code when ordering.
			· · Bulletin 49-30	49-30-EN	Key P/N 859953
15	859955	1	· · Plastic nut		
16	828587	1	· Buzzer		
17	858795	1	· Protecting casing		12V
18	828584	1	· Switch		ALARM TEST
	828585	1	· Switch		INSTR. LIGHT
19	828586	2	· Nut		
20	858645	1	· Symbol strip		
21	19923	4	· Bulb		
22	828784	1	· Reflector		
23	873209	1	· Electronic unit		(828783)
24	941615	2	· Screw		
25	941904	2	· Spring washer		
26	828646	1	· Cable trunk		
27	828647	4	· Screw		
28	949947	1	· Screw		
29	941904	1	· Spring washer		
30		1	· Decal		Starting instructions.